

Side Hinged Garage Door – Locking Bar Fitting Instructions

Note:

The Lock Bars are supplied as a pair, one being longer than the other to suit height position of lock on the door.

The final length can be adjusted by loosening the grub screw in the collar, with the Allen key provided, and 'telescoping' the bar to the correct length (see Figs 1 & 3).

Fitting

1. With the door in its closed position fit a Bolt Guide Bracket to the bottom of the door using 2 off no.10 x $\frac{3}{4}$ " screws supplied. Pre-drilled holes have been provided for this purpose (see Figs 1 & 3). Repeat for top of door.

2. Select the lock bar length suitable for operating the bottom bolt. Pass the round end of the bar through the bottom Guide Bracket and attach the flattened end to the lower actuator on the lock by hooking the hole on to the protruding peg (see fig 2).

Secure in position with one of the circlips supplied.

Repeat for top lock bar.

If necessary adjust length of bars (as described in **Note** above) to ease fitting.

3. With the doors fully closed, extend the bottom bolt and mark its position on the floor.

Fully open doors and drill a hole 25mm diameter (1") x 25mm deep (1") where marked.

Fully close doors again and place the Floor Bolt Plate in position, with the bottom bolt extended through the plate.

Mark the floor for the two screw fixings. Drill and plug floor with suitable plugs.

Secure plate to floor using 2 off no.12 x $1\frac{1}{2}$ " pan posi screws and M6 washers supplied.

Fine adjust position of plate, using slots provided, and fully tighten screws (see Fig 1).

4. Open the doors and place the Top Bolt Block, correct way round, over end of the top lock bar (see Fig 3). Fully close doors again.

Extend lock bar and correctly position the Top Bolt Block (see Fig 3). Mark fixing positions through the slots in block.

Drill 2 holes where marked using 4.5mm drill. Fix top block using 2 off no. 12 x 2" pan posi. screws and M6 washers supplied.

Fine adjust position of block, using slots provided, and fully tighten screws.

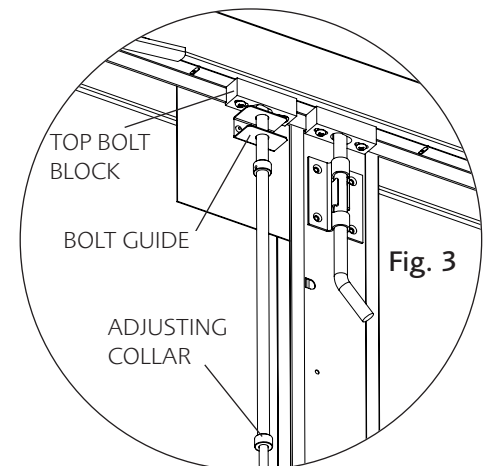
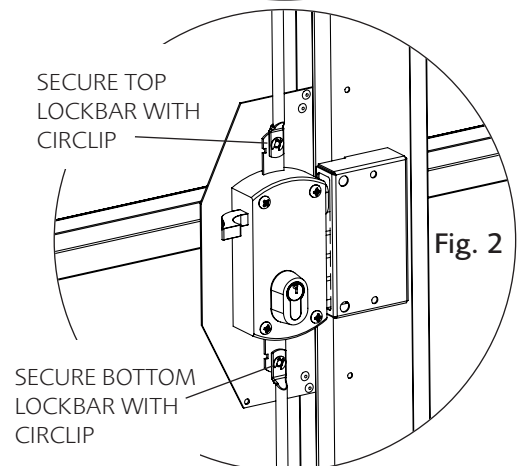
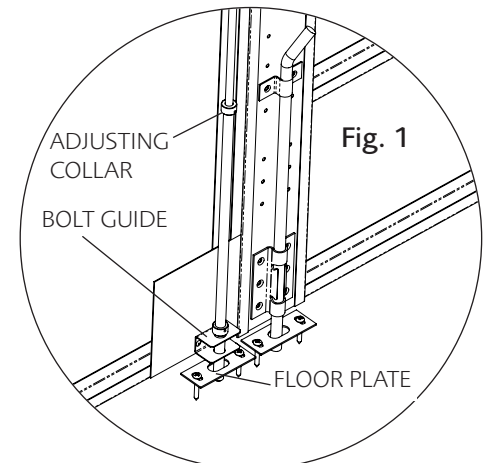
5. Fully close doors **from inside garage** and test operation of lock bars.

Ensure dead bolts can extend / retract through the full ' double throw ' without binding.

Ensure doors can be opened / closed without the bolts snagging on floor or door frame.

When final adjustments completed check all screws are fully tightened.

Save the Allen key together with these instructions, in a safe place for future use.



DPIN 045124 Issue A 06-03-2007